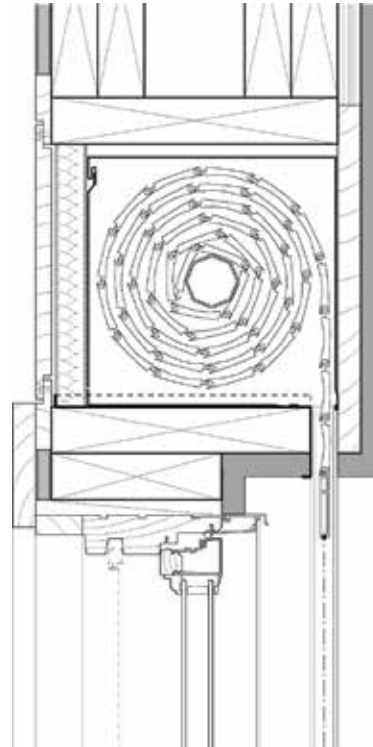


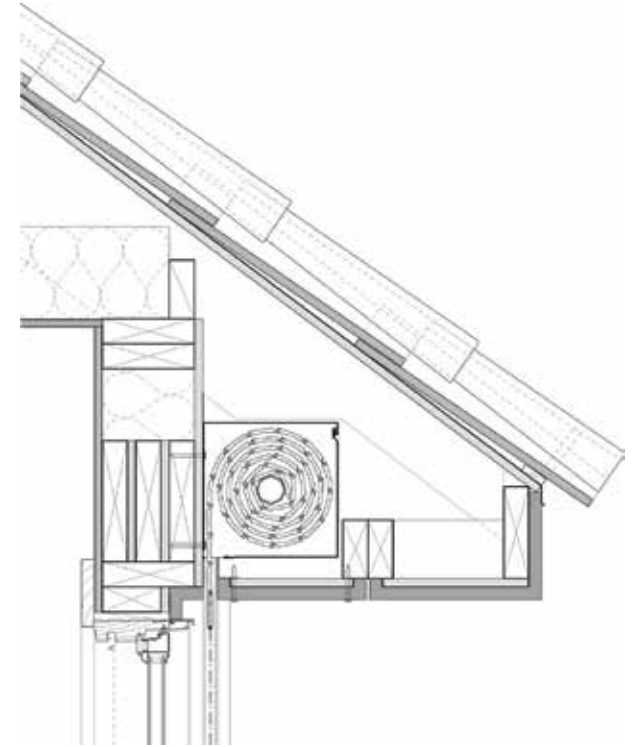
### Front Mount

The most common application for pre existing buildings. The shutter is applied to the wall with appropriate mounting fasteners.



### In Wall

Present a clean look by concealing the box and rails inside of the wall. Best used when shutters are integrated into the design of the building.



### Soffit Mount / Above Ceiling

The shutter box is installed in the roof soffit space for a cleaner look. It might be necessary to cut joists for installation.